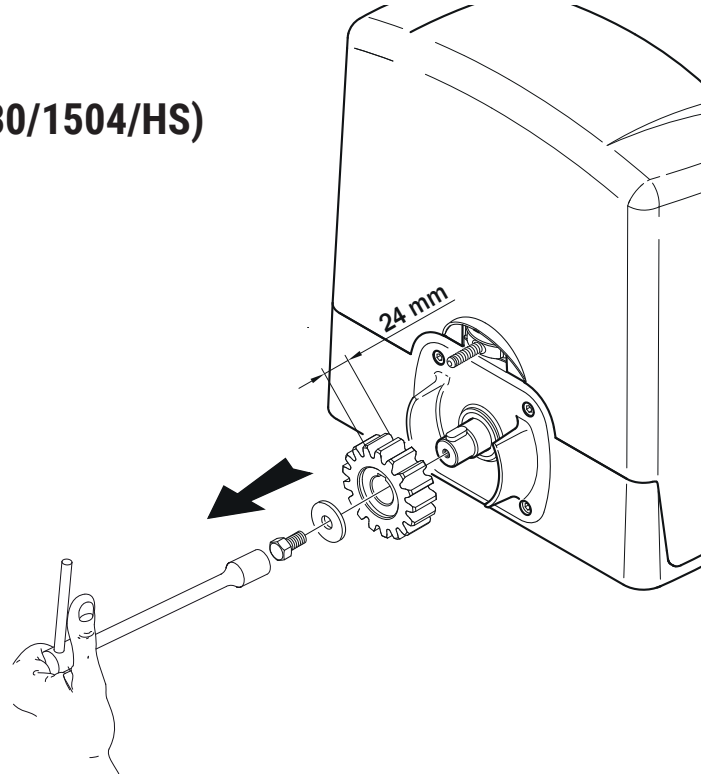


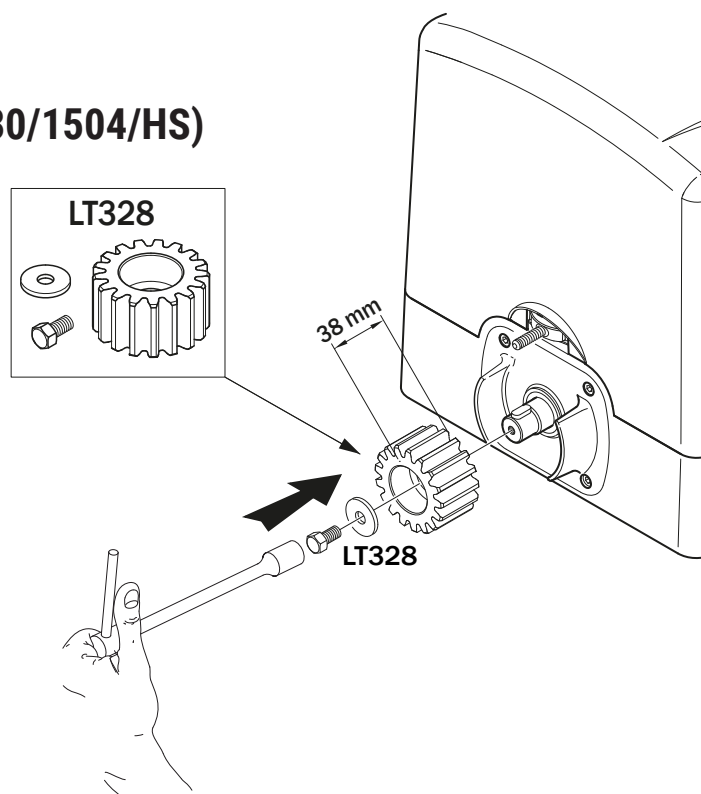


**R30**  
**G30**  
**BG30 (excluded BG30/1504/HS)**



**Fig. 1**

**R30**  
**G30**  
**BG30 (excluded BG30/1504/HS)**



**Fig. 2**